

CLASS 150

BRONZE GATE VALVE

Screwed Bonnet, Non-rising Stem
Flanged ends drilled or undrilled optionally.

W.O.G. non-shock 2.07 MPa (300 psi), Saturated steam pressure 1.03 MPa (150 psi)

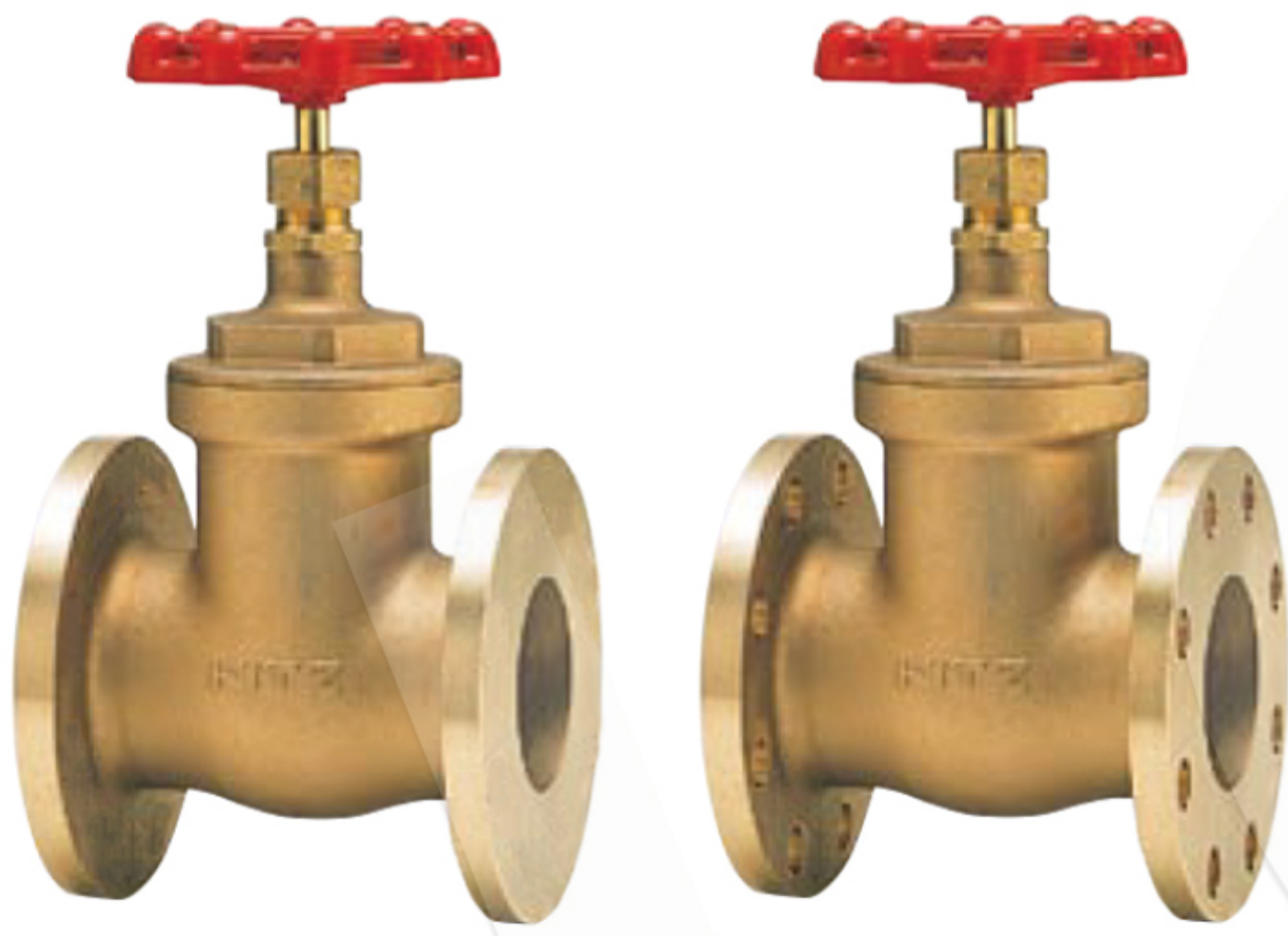
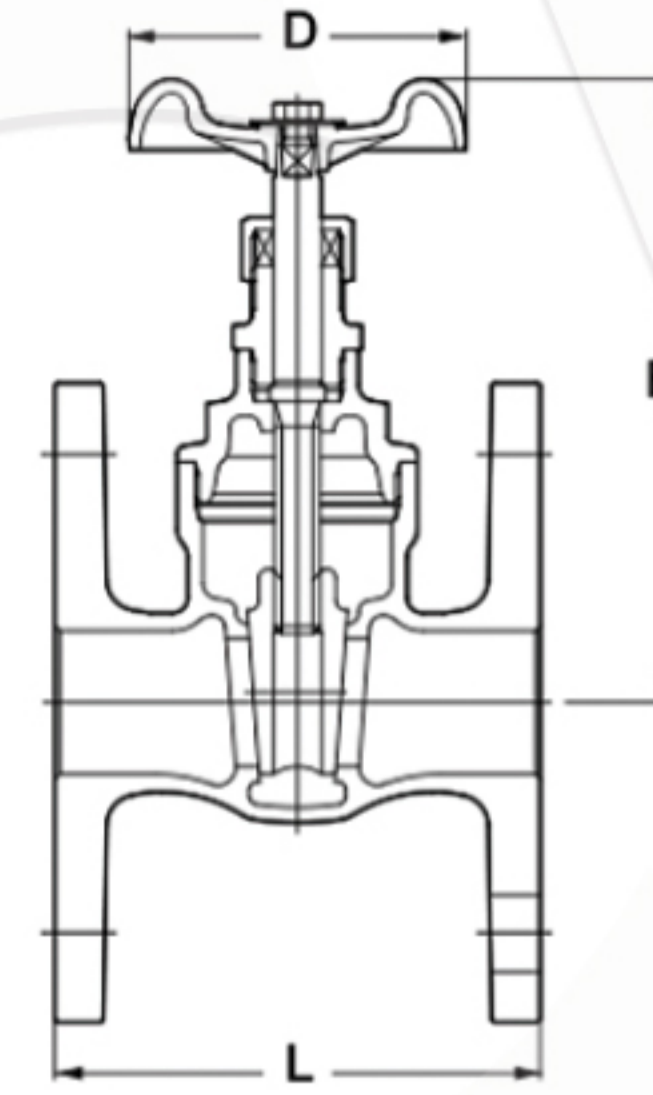


Fig. EB

- Undrilled unless drilling is specified as an option

Fig. EBH

- Drilled according to JIS 10K



Materials

Parts	Material
Body	Bronze
Bonnet	Brass/Bronze*
Stem	Dezincification Resistant Brass
Disc	Bronze
Gland Packing	Aramid Fibers Graphite

*Size 2 1/2 & larger

⚠ Don't use for Flammable gas or Toxic gas.

Dimensions

Nominal Size	mm									
	inch	1/2	3/4	1	1 1/4	1 1/2	2	2 1/2	3	4
L		75	80	95	110	120	140	165	190	230
H		96	111	122	142	165	197	225	264	309
D		55	60	70	80	90	100	115	155	225

*Shall not be in accordance with JIS B 2240